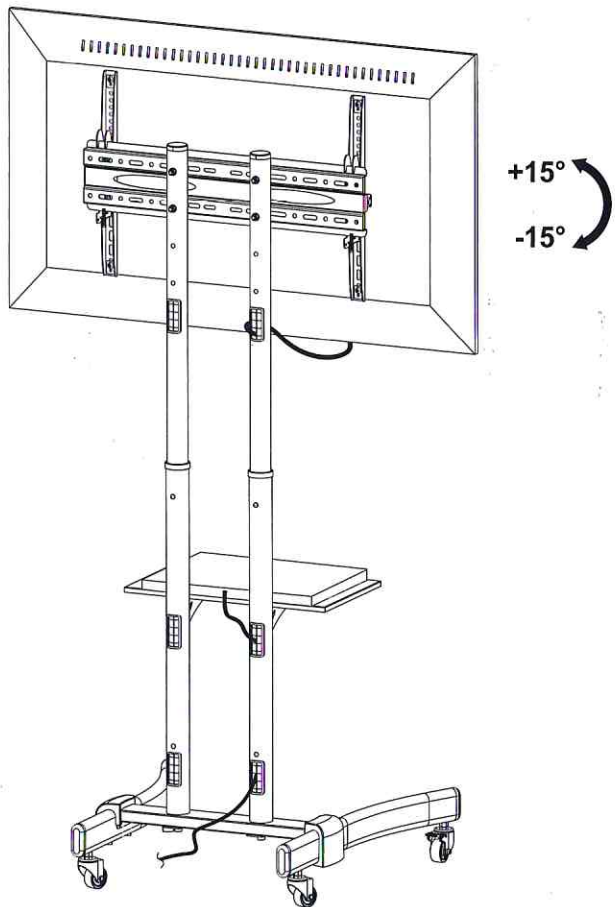




## 7. Adjustment



The TV can be tilted to the desired angle.  
If the tilt angle can't be fixed, you can loosen or tighten the knobs to adjust the TV to the desired angle.

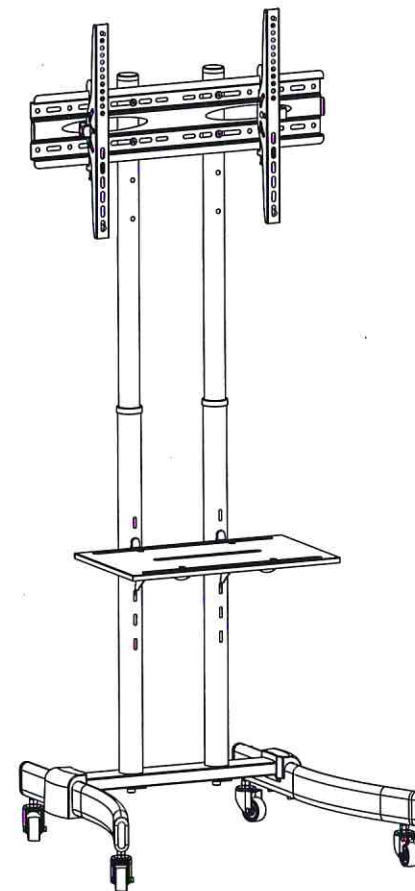
### Maintenance

- Check that the bracket is secure and safe to use at regular intervals (at least every three months).
- Please contact your distributor if you have any questions.



INSTALLATION MANUAL

# Universal Floor Standing



**CAUTION: DO NOT EXCEED RATED LISTED WEIGHT. SERIOUS INJURY OR PROPERTY DAMAGE MAY OCCUR!**

**MT-F1700**



200x200  
300x300  
400x200  
400x400  
600x400



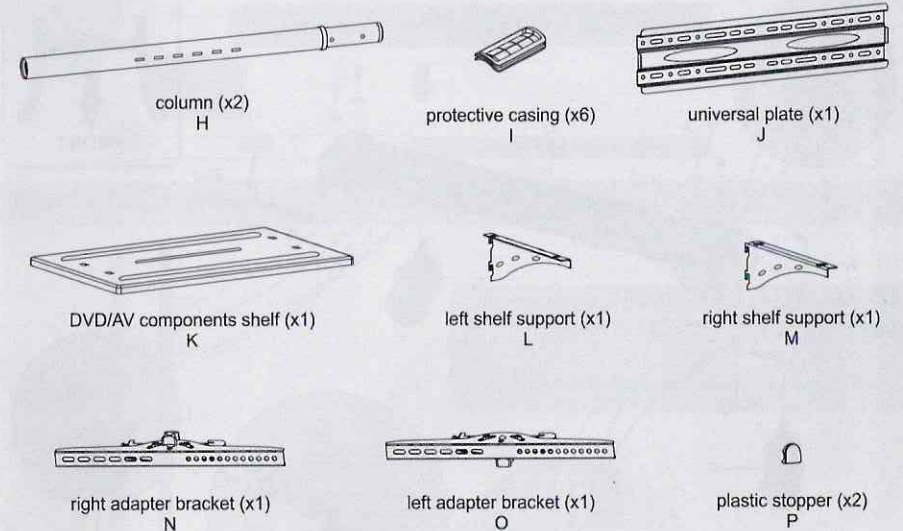
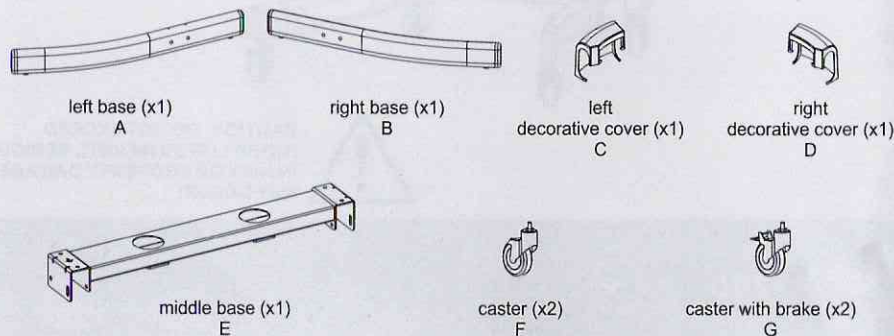
**NOTE:** Read the entire instruction manual before you start installation and assembly.

## ⚠ WARNING

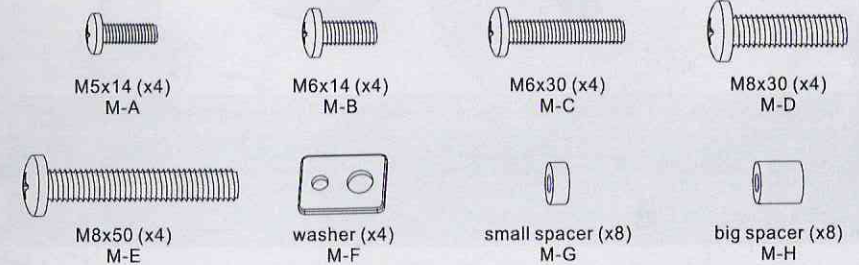
- Do not begin the installation until you have read and understood all the instructions and warnings contained in this installation sheet. If you have any questions regarding any of the instructions or warnings, please contact your local distributor.
- This mounting bracket was designed to be installed and utilised **ONLY** as specified in this manual. Improper installation of this product may cause damage or serious injury.
- Always use an assistant or mechanical lifting equipment to safely lift and position the equipment.
- Tighten screws firmly, but do not over tighten. Over tightening can cause damage to the items, This greatly reduces their holding power.
- This product is intended for indoor use only. Using this product outdoors could lead to product failure and personal injury.

## Component Checklist

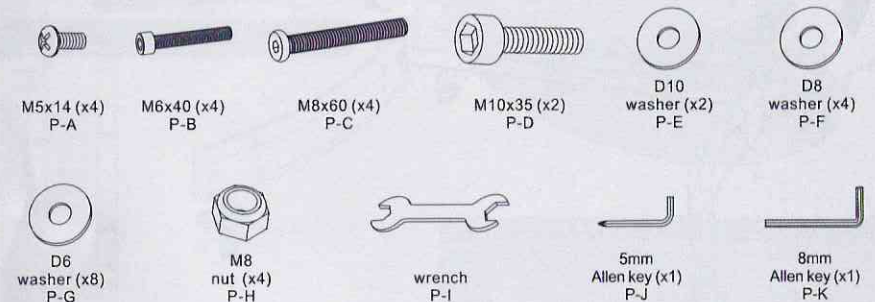
**IMPORTANT:** Ensure you have received all parts against the component checklist prior to installation. If any parts are missing or faulty, telephone the special franchiser for a replacement.



## Package M

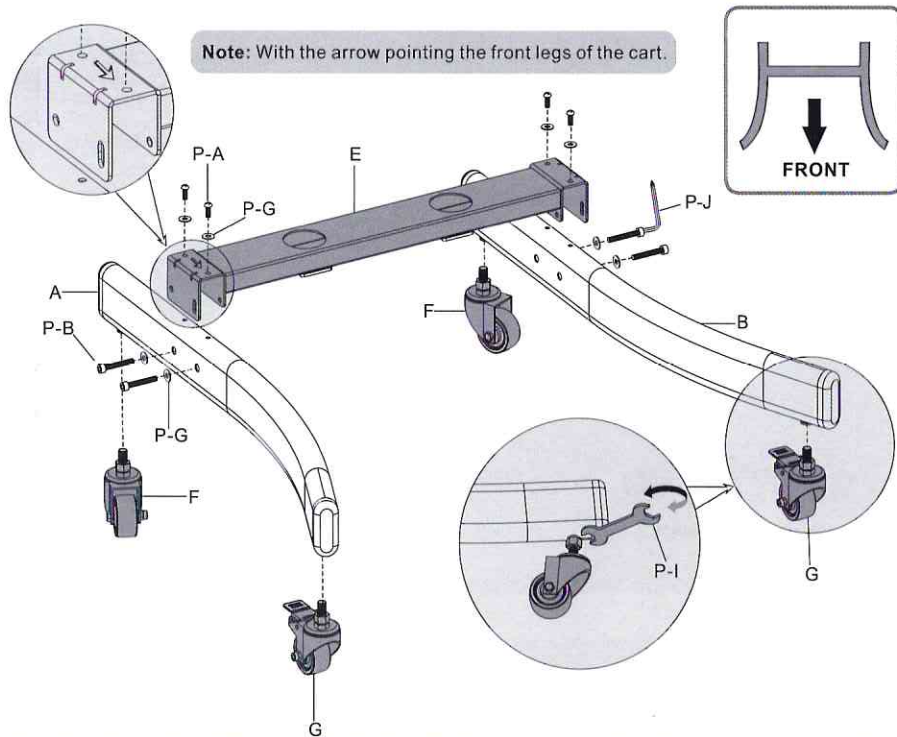


## Package



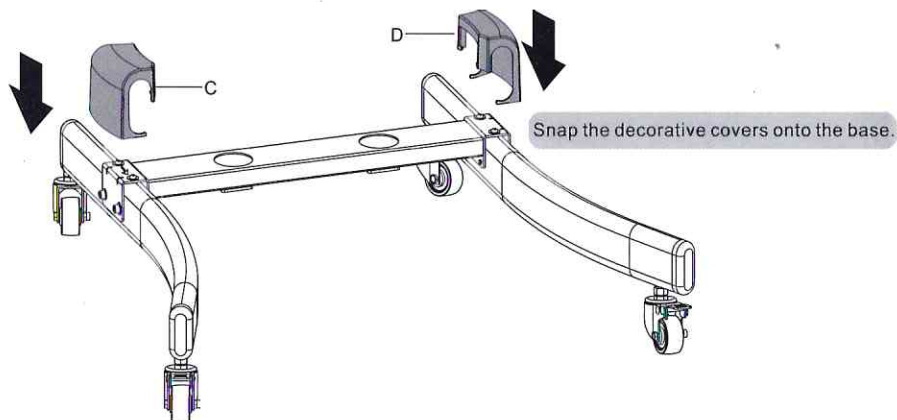


## 1. Assembling the Base

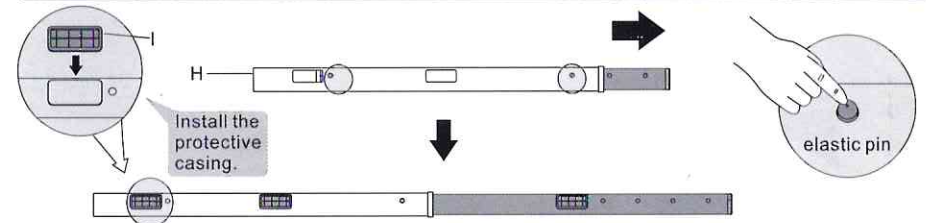


- Use the appropriate screws and washers to connect the left and right base to the middle base.
  - Insert the casters into the holes and tighten the casters to secure.
- Note:** Make sure all casters are at the same height. Each caster can be adjusted independently for fine tuning. Slightly turn the nut to lower or raise the base.
- Note:** Lock the brakes on the casters to avoid any sudden movements during installation.

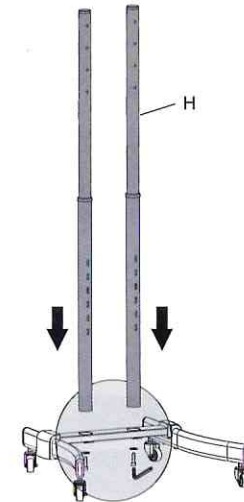
**⚠ Tighten all screws but do not over tighten.**



## 2. Installing the columns

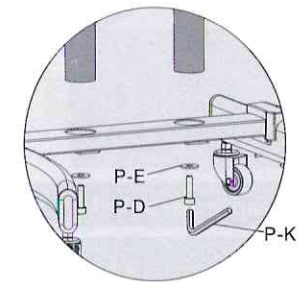


Press the elastic pin and pull out the inner column until the inner column is deadlocked.

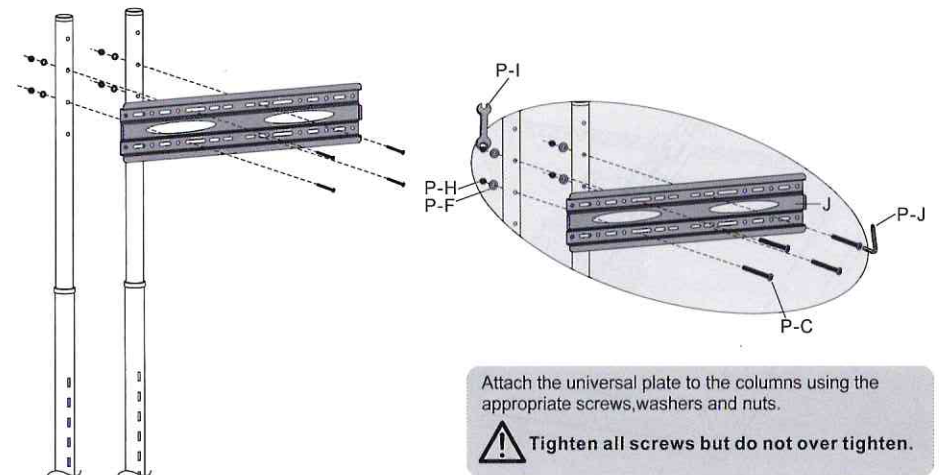


Attach the columns to the base using the appropriate screws and washers. Tighten all screws with the Allen key.

**⚠ Tighten all screws but do not over tighten.**



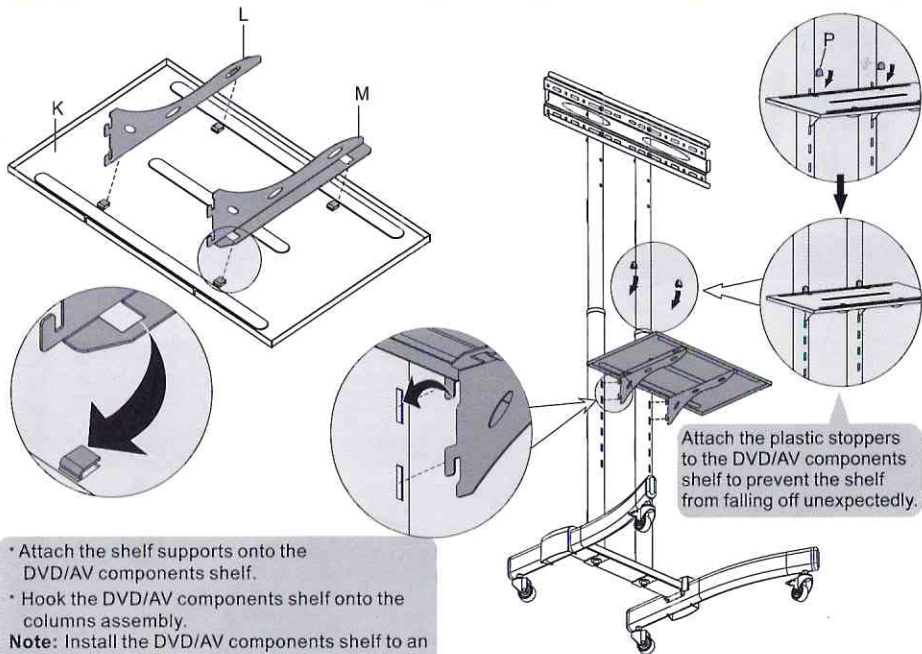
## 3. Installing the Universal Plate



Attach the universal plate to the columns using the appropriate screws, washers and nuts.

**⚠ Tighten all screws but do not over tighten.**

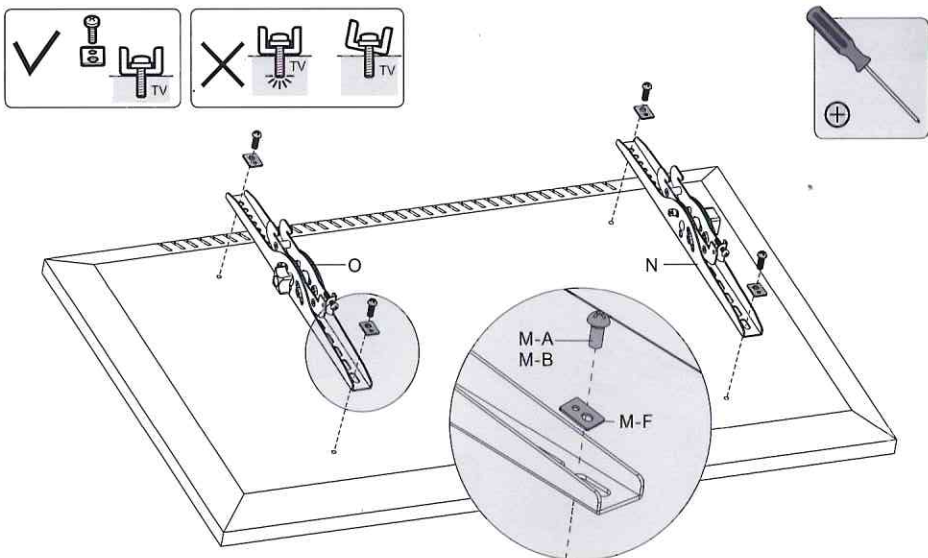
#### 4. Installing the DVD/AV Components Shelf



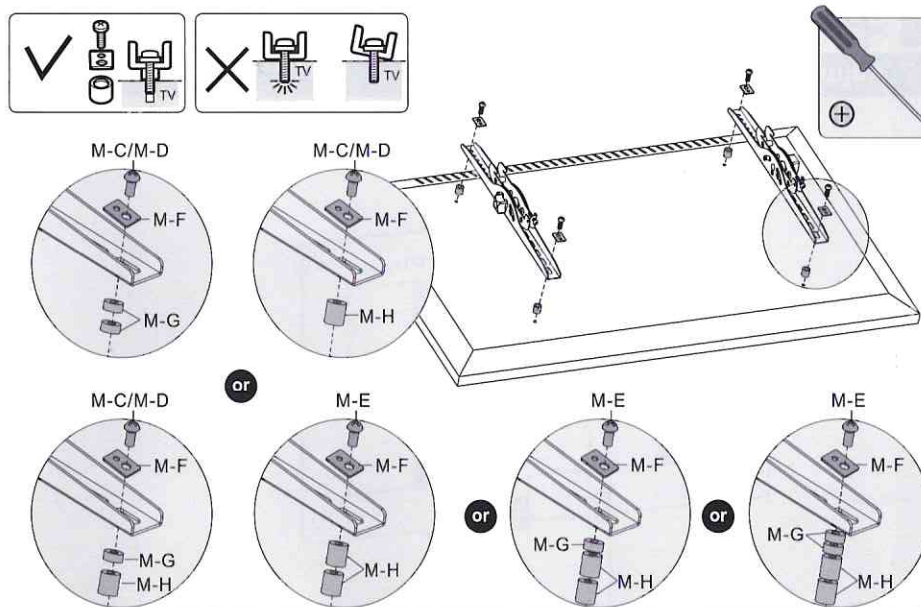
- Attach the shelf supports onto the DVD/AV components shelf.
  - Hook the DVD/AV components shelf onto the columns assembly.
- Note:** Install the DVD/AV components shelf to an appropriate height as required.

#### 5. Installing the Adapter Brackets

##### 5-1. For Flat Back Screens



#### 5-2. For Bump-out or Recessed Back Screens



- Note:** Choose the appropriate screws, washers and spacers (if necessary) according to the type of screens.
- Position the adapter brackets as close as possible to the center of the TV.
  - Screw the adapter brackets onto the TV.

**!** Tighten all screws but do not over tighten.

#### 6. Hanging the TV onto the Universal Plate

